

SPECIFICATIONS

MATERIAL:

1. Housing : PBT Polyester UL94V0
2. Color : Black
3. Contacts : 0.45mm Diameter Phos-Bronze Plated With Hard Gold or 0.35mm Thickness Alloy Selective Gold Plating

ELECTRICAL:

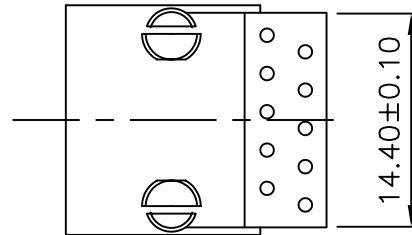
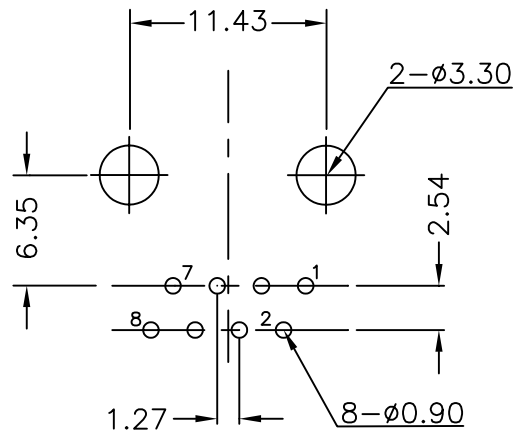
1. Current Rating : 1.5 AMP MAX
2. Voltage Rating : 150 VAC MAX
3. Contact Resistance : 30 milliohms MAX, initial
4. Insulation Resistance : 500 Megohms MIN
5. Dielectric Withstanding Voltage : 1000 VAC, 1min

UL. CUL NO.: E166003

Ordering Information

340-XXXX-10011

- No. of Positions 6,8,1(10P) — Contacts
- No. of Contacts 2,4,6,8,1(10C) — Gold Plating
- 1 - Round Pin
- 2 - Flat Pin
- 1 - 3u"
- 2 - 6u"
- 3 - 15u"
- 4 - 30u"
- 5 - 50u"



PCB LAYOUT/TOP VIEW

No. of Positions	Dimensions m/m
	A
6	10.00
8/10	12.00

.X ±0.3	UNITS mm	DWG NO.:
		APPD: C. T. Tsai
.XX ±0.20	SCALE Free	CHKD:
		DR: S. K. Liu
TOLERANCE		SHEET: 1/1
		REV: A
		DATE: 07/28/03

TITLE:	Side Entry Modular Jack
PART NO.:	340-XXXX-10011
皇杰興業有限公司 FINE JACK INDUSTRIAL CO., LTD	