

**SPECIFICATIONS**

**MATERIAL:**

1. Housing : PBT Polyester UL94V0
2. Color : Black
3. Contacts : 0.35mm Thickness Alloy Selective Gold Plating

**ELECTRICAL:**

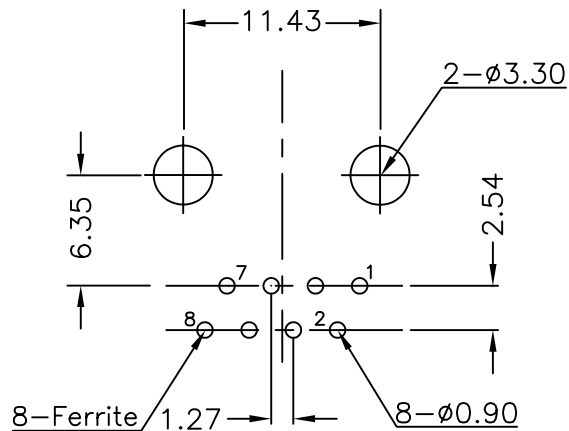
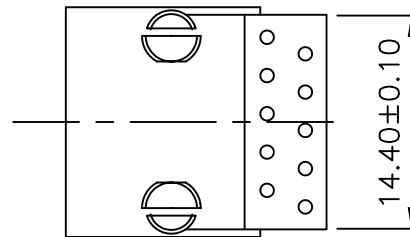
1. Current Rating : 1.5 AMP MAX
2. Voltage Rating : 150 VAC MAX
3. Contact Resistance : 30 milliohms MAX, initial
4. Insulation Resistance : 500 Megohms MIN
5. Dielectric Withstanding Voltage : 1000 VAC, 1min

UL. CUL NO.: E166003

**Ordering Information**

340F-XXX2-10011

No. of Positions	6,8,1(10P)	Gold Plating
		2 - 6u"
		3 - 15u"
No. of Contacts	2,4,6,8,1(10C)	4 - 30u"
		5 - 50u"



PCB LAYOUT/TOP VIEW

No. of Positions	Dimensions m/m
	A
6	10.00
8/10	12.00

.X ±0.3	UNITS mm	DWG NO.:
		APPD: C. T. Tsai
.XX ±0.20	SCALE Free	CHKD:
		DR: S. K. Liu
TOLERANCE		SHEET: 1/1
		REV: A
		DATE: 07/28/03

TITLE: Side Entry Modular Jack W/Ferrite
PART NO.: 340F-XXX2-10011

皇杰興業有限公司  
FINE JACK INDUSTRIAL CO., LTD