

SPECIFICATIONS

MATERIAL:

1. Housing : PBT Polyester UL94V0
2. Color : Black
3. Contacts : 0.35mm Thickness Alloy Selective Gold Plating
4. Shield : 0.20mm Thickness Copper Alloy With Nickel Plated

ELECTRICAL:

1. Current Rating : 1.5 AMP MAX
2. Voltage Rating : 150 VAC MAX
3. Contact Resistance : 30 milliohms MAX, initial
4. Insulation Resistance : 500 Megohms MIN
5. Dielectric Withstanding Voltage : 1000 VAC, 1min

UL. CUL NO.: E166003

Ordering Information

340SF-XXX2-1XX11

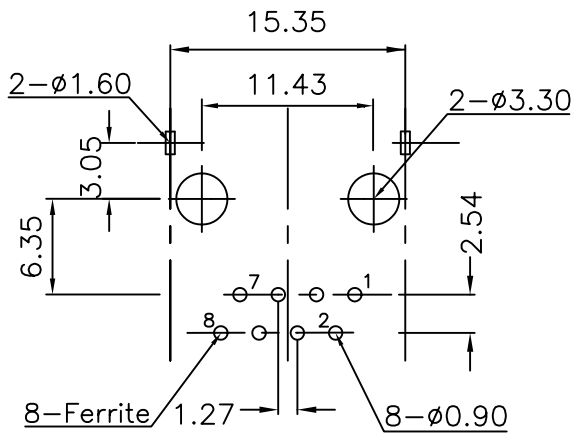
No. of Positions
6,8,1(10P)

No. of Positions
2,4,6,8,1(10C)

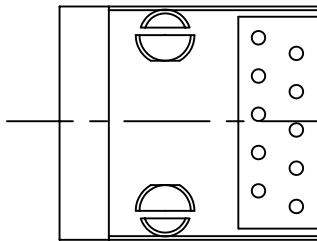
Gold Plating
2 - 6u"
3 - 15u"
4 - 30u"
5 - 50u"

Grounding Pegs
3 - Rear 3.05
4 - Front 3.05

Panel Grounding
1 - W/O P.G. Tab
2 - Top P.G. Tab
3 - Top & Side P.G. Tab



PCB LAYOUT/TOP VIEW



No. of Positions	Dimensions m/m
	A
6	10.00
8/10	12.00

.X ±0.3	UNITS	DWG NO.:	TITLE:
	mm		
.XX ±0.20	SCALE	CHKD:	PART NO.:
	Free		
TOLERANCE		SHEET: 1/1	340SF-XXX2-1XX11 皇杰興業有限公司 FINE JACK INDUSTRIAL CO., LTD
		REV: A	
		DATE: 07/28/03	

Side Entry Shielded Modular Jack W/Ferrite

皇杰興業有限公司
FINE JACK INDUSTRIAL CO., LTD