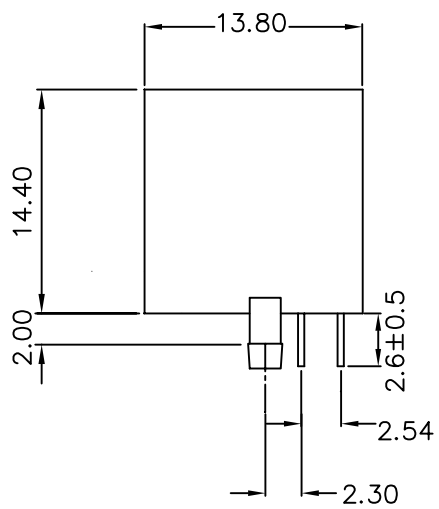
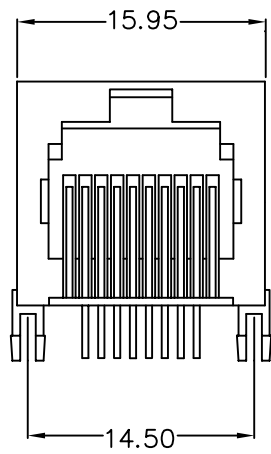


1 2 3 4 5 6 7

A



SPECIFICATIONS

MATERIAL:

- 1. Housing : PBT Polyester UL94V0
- 2. Color : Black
- 3. Contacts : 0.45mm Diameter Phos-Bronze Plated With Hard Gold

ELECTRICAL:

- 1. Current Rating : 1.5 AMP MAX
- 2. Voltage Rating : 150 VAC MAX
- 3. Contact Resistance : 30 milliohms MAX, initial
- 4. Insulation Resistance : 500 Megohms MIN
- 5. Dielectric Withstanding Voltage : 1000 VAC, 1min

UL. CUL NO.: E166003

Ordering Information

360L-1XX1-10001

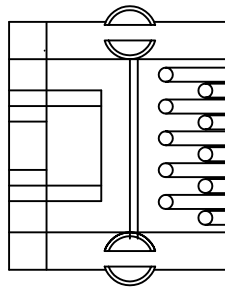
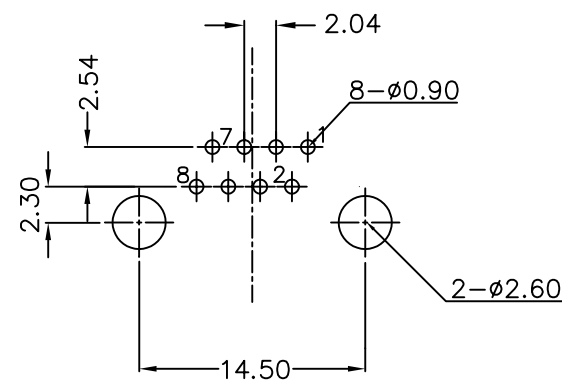
Gold Plating

No. of Contacts
2,4,6,8,1(10C)

- 1 - 3u"
- 2 - 6u"
- 3 - 15u"
- 4 - 30u"
- 5 - 50u"

B


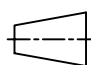
C



PCB LAYOUT/TOP VIEW

D

E

.X ±0,3	UNITS	DWG NO.:	TITLE:
	mm		
.XX ±0,20	SCALE	APPD: C. T. Tsai	PART NO.:
	Free	CHKD:	
TOLERANCE		DR: S. K. Liu	360L-1XX1-10001
 		SHEET: 1/1	
		REV: A	皇杰興業有限公司 FINE JACK INDUSTRIAL CO., LTD
		DATE: 07/28/03	

1 2 3 4 5 6 7