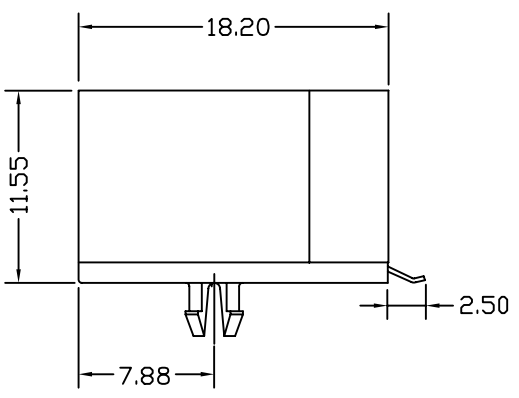
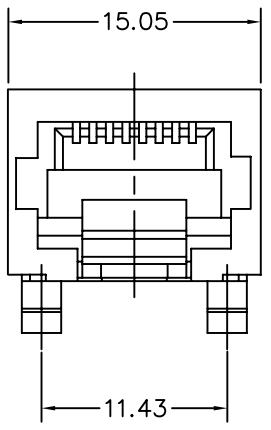


1 2 3 4 5 6 7

A



**SPECIFICATIONS**

**MATERIAL:**

- 1. Housing : NYLON46 UL94V0
- 2. Color : Black
- 3. Contacts : 0.35mm Thickness Alloy Selective Gold

**ELECTRICAL:**

- 1. Current Rating : 1.5 AMP MAX
- 2. Voltage Rating : 150 VAC MAX
- 3. Contact Resistance : 30 milliohms MAX, initial
- 4. Insulation Resistance : 500 Megohms MIN
- 5. Dielectric Withstanding Voltage : 1000 VAC, 1min

UL. CUL NO.: E166003

**Ordering Information**

370-1XX2-100S1

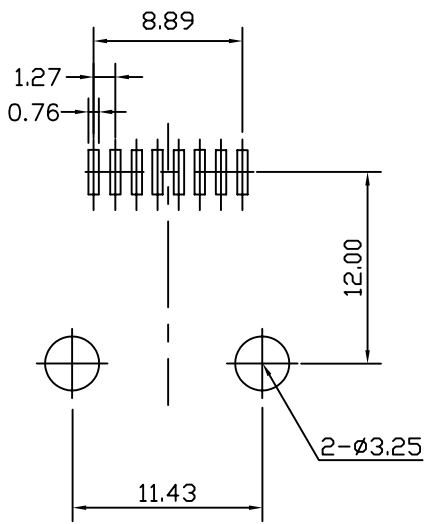
Gold Plating

No. of Contacts  
2,4,6,8,1(10C)

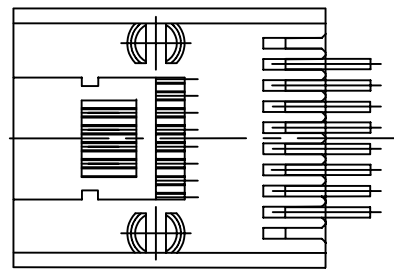
- 2 - 6u"
- 3 - 15u"
- 4 - 30u"
- 5 - 50u"

B

C



PCB LAYOUT



D

E

1 2 3 4 5 6 7

.X ±0.3	UNITS	DWG NO.:	TITLE:
	mm		
.XX ±0.20	SCALE	APPD: C. T. Tsai	Side Entry Very L/P Modular Jack(SMT)
	N/A	CHKD:	PART NO.:
TOLERANCE		DR: S. K. Liu	370-1XX2-100S1
	SHEET: 1/1	<b>皇杰興業有限公司</b> FINE JACK INDUSTRIAL CO., LTD	
	REV: A		
	DATE: 07/28/03		

A

B

C

D

E