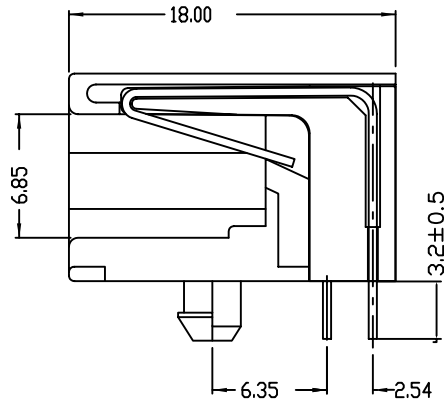
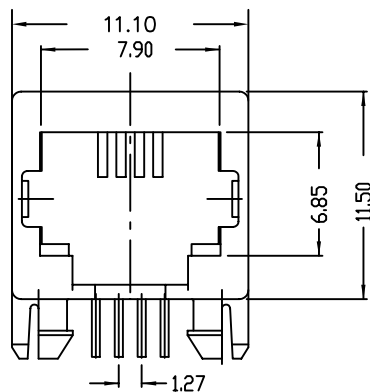
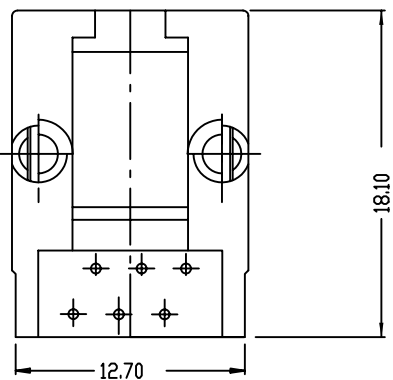


PCB LAYOUT/TOP VIEW



Ordering Information

370-4XX1-100X1
 No. of Contacts: 2,4
 Gold Plating:
 1 - 3u"
 2 - 6u"
 3 - 15u"
 4 - 30u"
 5 - 50u"
 Panel Stop:
 0 - W/O Panel Stop
 1 - W/Panel Stop



SPECIFICATIONS

MATERIAL:

1. Housing : PBT Polyester UL94V0
2. Color : Black
3. Contacts : 0.45mm Diameter Phos-Bronze Plated With Hard Gold

ELECTRICAL:

1. Current Rating : 1.5 AMP MAX
2. Voltage Rating : 150 VAC MAX
3. Contact Resistance : 30 milliohms MAX, initial
4. Insulation Resistance : 500 Megohms MIN
5. Dielectric Withstanding Voltage : 1000 VAC, 1min

UL. CUL NO.: E166003

.X ±0.3	UNITS	DWG NO.:	TITLE:
	mm		
.XX ±0.20	SCALE	CHKD:	PART NO.:
	Free		
TOLERANCE		SHEET: 1/1	皇杰興業有限公司 FINE JACK INDUSTRIAL CO., LTD
		REV: A	
		DATE: 07/28/03	