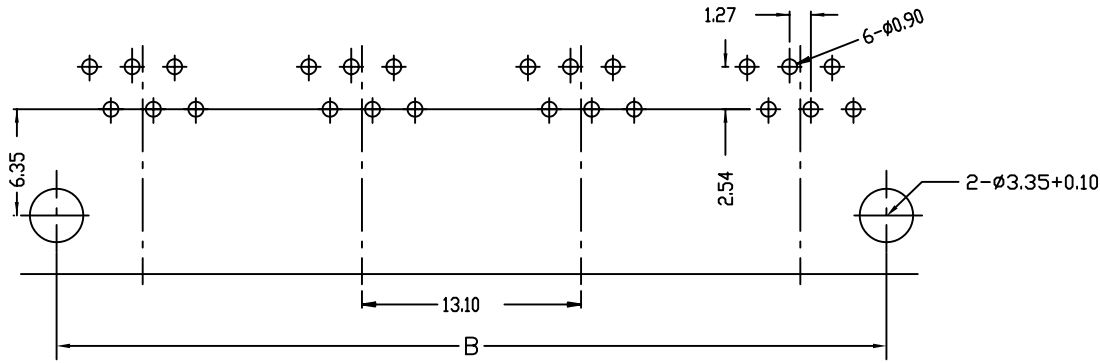


1 2 3 4 5 6 7

A



P.C.B. HOLE LAYOUT

SPECIFICATIONS

MATERIAL:

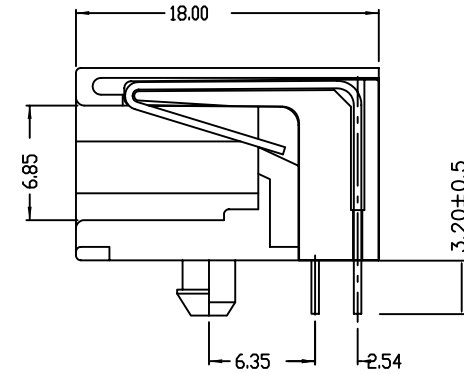
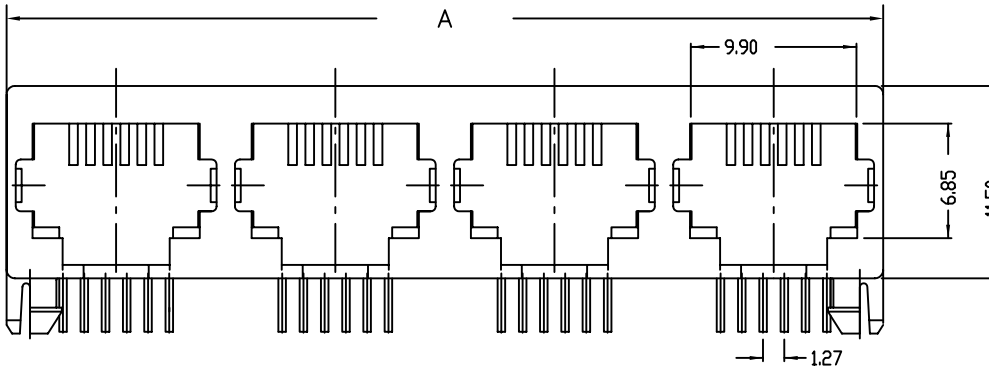
- 1. Housing : PBT Polyester UL94V0
- 2. Color : Black
- 3. Contacts : 0.45mm Diameter Phos-Bronze Plated With Hard Gold

ELECTRICAL:

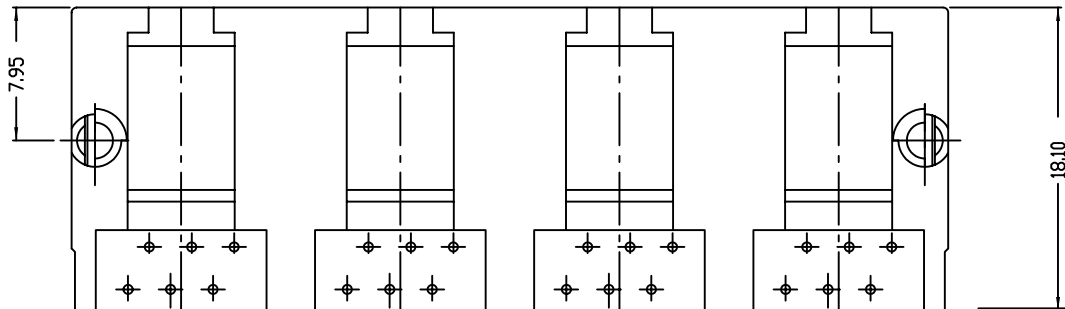
- 1. Current Rating : 1.5 AMP MAX
- 2. Voltage Rating : 150 VAC MAX
- 3. Contact Resistance : 30 milliohms MAX, initial
- 4. Insulation Resistance : 500 Megohms MIN
- 5. Dielectric Withstanding Voltage : 1000 VAC, 1min

UL CUL NO: E166003

B



C



Ordering Information

Ports	Dimensions m/m	
	A	B
1	13.10	10.16
2	26.20	23.40
4	52.40	49.60

370-6XX1-X00X1

No. of Contacts
2,4,6

Panel Stop
0 - W/O Panel Stop
1 - W/Panel Stop

Gold Plating
1 - 3u"
2 - 6u"
3 - 15u"
4 - 30u"
5 - 50u"

No. of Ports
1 - 1 Port
2 - 2 Ports
4 - 4 Ports

D

.X ±0.3	UNITS	DWG NO.:	TITLE:
	mm		
.XX ±0.20	SCALE	CHKD:	PART NO.:
	Free		
TOLERANCE		SHEET: 1/1	皇杰興業有限公司 FINE JACK INDUSTRIAL CO., LTD
		REV: A	
		DATE: 7/28/03	

E

1 2 3 4 5 6 7