

**SPECIFICATIONS**

**MATERIAL:**

- 1. Housing : PBT Polyester UL94V0
- 2. Color : Black
- 3. Contacts : 0.35mm Thickness Alloy Selective Gold Plating

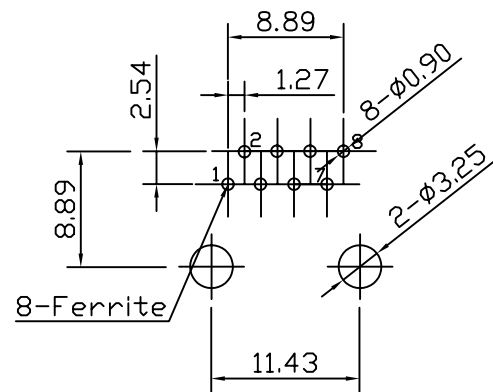
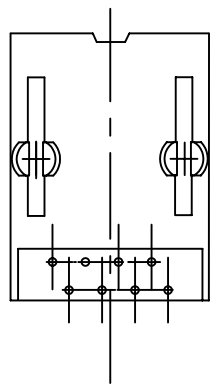
**ELECTRICAL:**

- 1. Current Rating : 1.5 AMP MAX
- 2. Voltage Rating : 150 VAC MAX
- 3. Contact Resistance : 30 milliohms MAX, initial
- 4. Insulation Resistance : 500 Megohms MIN
- 5. Dielectric Withstanding Voltage : 1000 VAC, 1min

UL. CUL NO.: E166003

**Ordering Information**

390F-8XX2-10001	
No. of Contacts	Gold Plating
2,4,6,8	2 - 6u"
	3 - 15u"
	4 - 30u"
	5 - 50u"



PCB LAYOUT/TOP VIEW

.X ±0.3	UNITS	DWG NO.:	TITLE:
	mm		
.XX ±0.20	SCALE	APPD: C. T. Tsai	PART NO.:
	Free	CHKD:	
TOLERANCE		DR: S. K. Liu	390F-8XX2-10001
	SHEET:	1/1	<b>皇杰興業有限公司</b> FINE JACK INDUSTRIAL CO., LTD
	REV:	A	
	DATE:	04/01/06	