

1 2 3 4 5 6 7

A

B

C

D

E

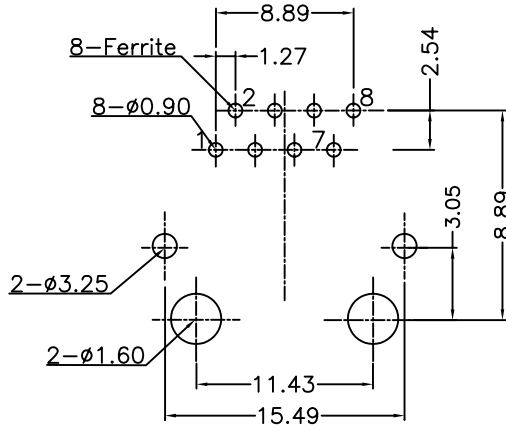
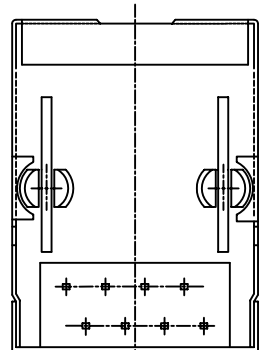
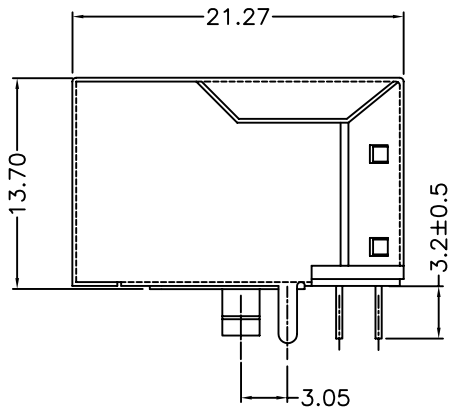
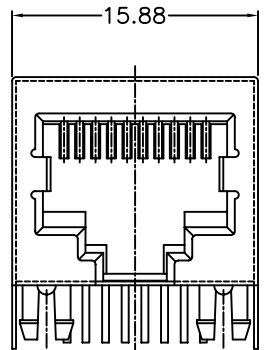
A

B

C

D

E



PCB LAYOUT/TOP VIEW

SPECIFICATIONS

MATERIAL:

- 1. Housing : PBT Polyester UL94V0
- 2. Color : Black
- 3. Contacts : 0.35mm Thickness Alloy Selective Gold Plating
- 4. Shield : 0.25mm Thickness Copper Alloy With Nickel Plated

ELECTRICAL:

- 1. Current Rating : 1.5 AMP MAX
- 2. Voltage Rating : 150 VAC MAX
- 3. Contact Resistance : 30 milliohms MAX, initial
- 4. Insulation Resistance : 500 Megohms MIN
- 5. Dielectric Withstanding Voltage : 1000 VAC, 1min

UL. CUL NO.: E166003

Ordering Information

390SF-8XX2-1XX01

No. of Contacts
2,4,6,8

Gold Plating
2 - 6u"
3 - 15u"
4 - 30u"
5 - 50u"

Grounding Pegs
1 - Front 4.57
2 - Front 3.68
3 - Rear 3.05
4 - Front 3.05

Panel Grounding
1 - W/O P.G. Tab
2 - Top P.G. Tab
3 - Top & Side P.G. Tab
4 - Top & Bottom P.G. Tab
3 - Top & Side & Bottom P.G. Tab

.X ±0.3	UNITS	DWG NO.:	TITLE:
	mm	APPD: C. T. Tsai	8P Side Entry Shielded Modular Jack W/Ferrite
.XX ±0.20	SCALE	CHKD:	PART NO.:
	Free	DR: S. K. Liu	390SF-8XX2-1XX01
TOLERANCE		SHEET: 1/1	皇杰興業有限公司 FINE JACK INDUSTRIAL CO., LTD
		REV: B	
		DATE: 04/01/06	

1 2 3 4 5 6 7