

Material:

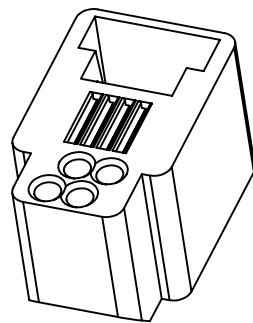
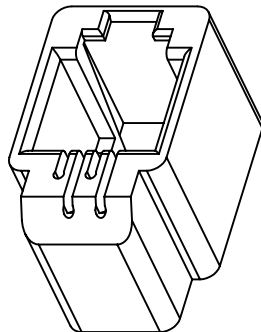
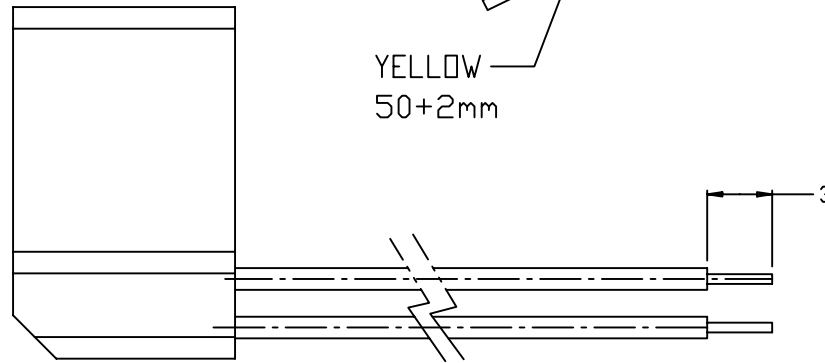
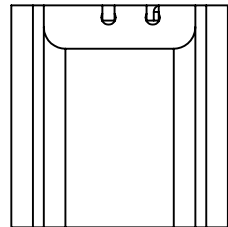
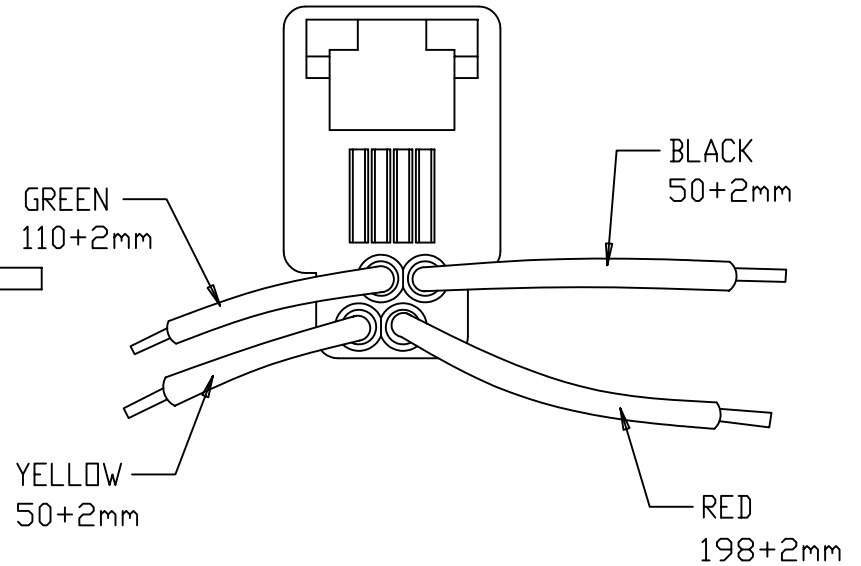
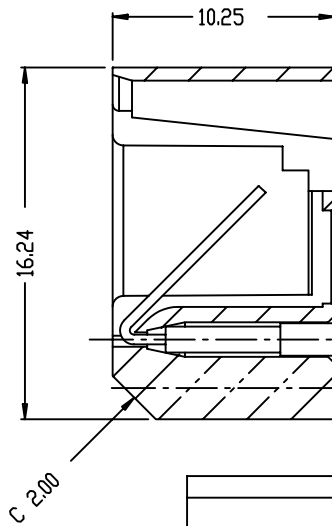
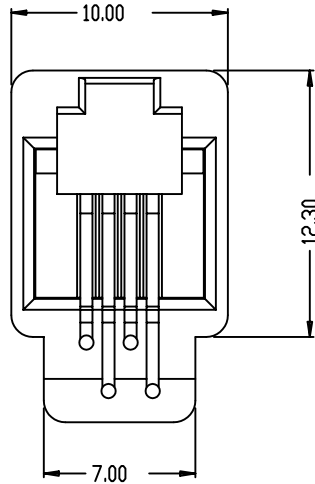
Housing : ABS UL94-V0


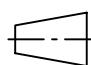
Contact : Selective gold plating

Spring wire: DIA. 0.45mm Phosphor bronze

Optional gold plating over nickel

Lead length & size : 26 AWG



X. ±1	UNITS	DWG NO.:	TITLE:
	mm		
.X ±0.3	SCALE	CHKD:	PART NO.:
.XX ±0.20	Free	DR: s. k. Liu	616E(N)-44X1-11702
TOLERANCE		SHEET: 1/1	皇杰興業有限公司 FINE JACK INDUSTRIALCO., LTD.
 		REV: A	
		DATE: 22/03/05	