

PCB LAYOUT/TOP VIEW

Ports	Dimensions m/m	
	A	B
1	17.10	13.80
2	28.10	24.80
3	39.00	35.50
4	50.20	46.80
5	61.0	57.8
6	72.0	68.8
8	94.0	91.8

SPECIFICATIONS

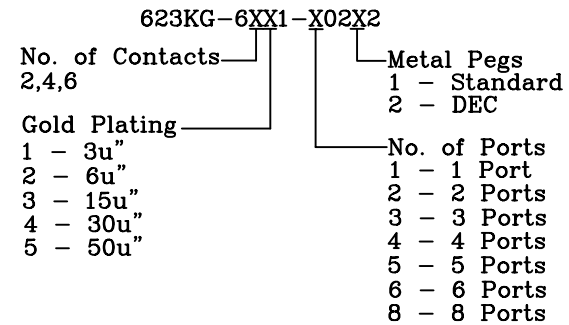
MATERIAL:

1. Housing : PBT Polyester UL94V0
2. Color : Gray
3. Contacts : 0.45mm Diameter Phos-Bronze Plated With Hard Gold

ELECTRICAL:

1. Current Rating : 1.5 AMP MAX
2. Voltage Rating : 150 VAC MAX
3. Contact Resistance : 30 milliohms MAX, initial
4. Insulation Resistance : 500 Megohms MIN
5. Dielectric Withstanding Voltage : 1000 VAC, 1min

Ordering Information



.X ±0.3	UNITS	DWG NO.:	TITLE:
	mm		
.XX ±0.20	SCALE	APPD: C. T. Tsai	PART NO.:
	Free	CHKD:	
TOLERANCE		DR: S. K. Liu	623KG-6XX1-X02X2
	SHEET:	1/1	皇杰興業有限公司 FINE JACK INDUSTRIAL CO., LTD
	REV:	B	
	DATE:	07/28/03	