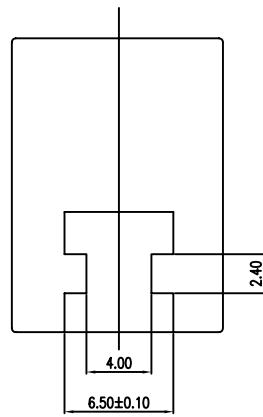


PCB LAYOUT/TOP VIEW



SPECIFICATIONS

MATERIAL:

1. Housing : PBT Polyester UL94V0
2. Color : Black
3. Contacts : 0.45mm Diameter Phos-Bronze Plated With Hard Gold

ELECTRICAL:

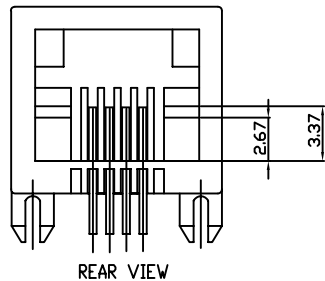
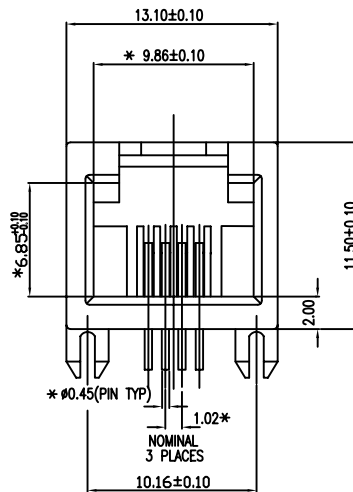
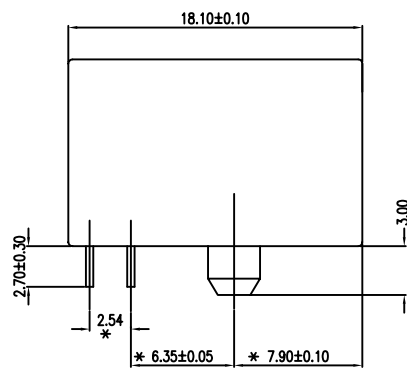
1. Current Rating : 1.5 AMP MAX
2. Voltage Rating : 150 VAC MAX
3. Contact Resistance : 30 milliohms MAX, initial
4. Insulation Resistance : 500 Megohms MIN
5. Dielectric Withstanding Voltage : 1000 VAC, 1min

UL. CUL NO.: E166003

Ordering Information

623KMP-6XX1-10031

No. of Contacts 2,4,6	}	Gold Plating
		1 - 3u"
		2 - 6u"
		3 - 15u"
		4 - 30u"
5 - 50u"		



REAR VIEW

.X ±0,3	UNITS	DWG NO.:	TITLE:
	mm		
.XX ±0,20	SCALE	APPD: C. T. Tsai	PART NO.:
	Free	CHKD:	
TOLERANCE		DR: S. K. Liu	623KMP-6XX1-10031
	SHEET: 1/1	皇杰興業有限公司 FINE JACK INDUSTRIAL CO., LTD	
	REV: A		
	DATE: 07/28/03		