

**SPECIFICATIONS**

**MATERIAL:**

1. Housing : PBT Polyester UL94V0
2. Color : Black
3. Contacts : 0.45mm Diameter Phos-Bronze Plated With Hard Gold

**ELECTRICAL:**

1. Current Rating : 1.5 AMP
2. Voltage Rating : 150 VAC
3. Contact Resistance : 30 Milliohms MAX
4. Insulation Resistance : 500 Milliohms MIN
5. Dielectric Withstanding Voltage : 1000 VAC, 1min

UL. CUL NO.: E166003

**Ordering Information**

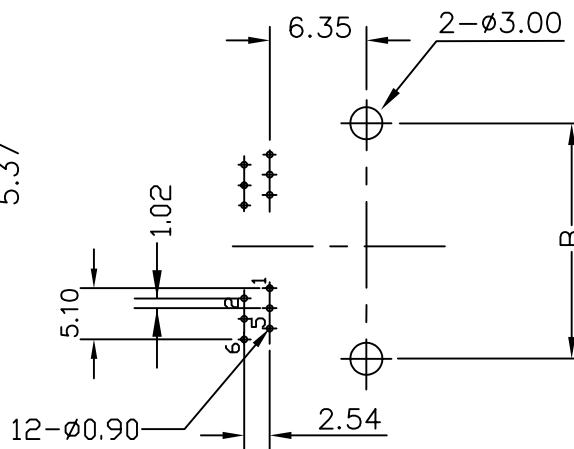
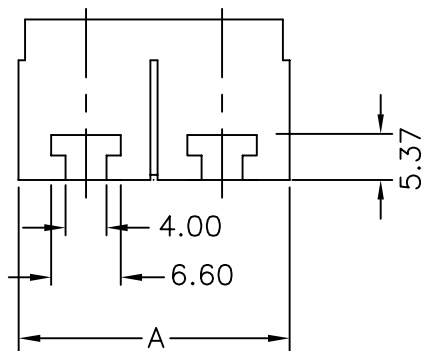
623KMP-6XX1-X0011

No. of Contacts  
2,4,6

NO. of Ports  
1 - 1 Port  
2 - 2 Ports

Gold Plating

- 1 - 3u"
- 2 - 6u"
- 3 - 15u"
- 4 - 30u"
- 5 - 50u"



PCB LAYOUT/TOP VIEW

Ports	Dimensions m/m	
	A	B
1	12.50	9.70
2	26.10	23.10

.X ±0.3	UNITS	DWG NO.:	TITLE:
	mm		
.XX ±0.20	SCALE	APPD: C. T. Tsai	PART NO.:
	Free	CHKD:	
TOLERANCE		DR: S. K. Liu	623KMP-6XX1-X0011
		SHEET: 1/1	
		REV: A	
		DATE: 07/28/03	皇杰興業有限公司 FINE JACK INDUSTRIAL CO., LTD