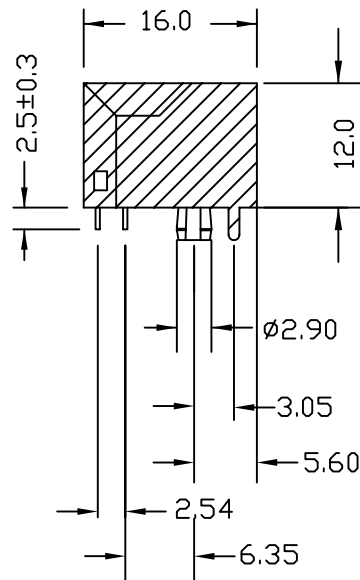
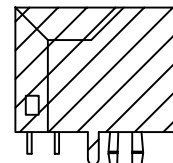


TWIN TYPE



Front 3.05



Rear 3.05

**SPECIFICATIONS**

**MATERIAL:**

1. Housing : PBT Polyester UL94V0
2. Color : Black
3. Contacts : 0.45mm Diameter Phos-Bronze Plated With Hard Gold
4. Shield : 0.20mm Thickness Copper Alloy With Nickel Plated

**ELECTRICAL:**

1. Current Rating : 1.5 AMP MAX
2. Voltage Rating : 150 VAC MAX
3. Contact Resistance : 30 milliohms MAX, initial
4. Insulation Resistance : 500 Megohms MIN
5. Dielectric Withstanding Voltage : 1000 VAC, 1min

UL. CUL NO.: E166003

**Ordering Information**

623KMS-6XX1-X1X01

No. of Contacts  
2,4,6

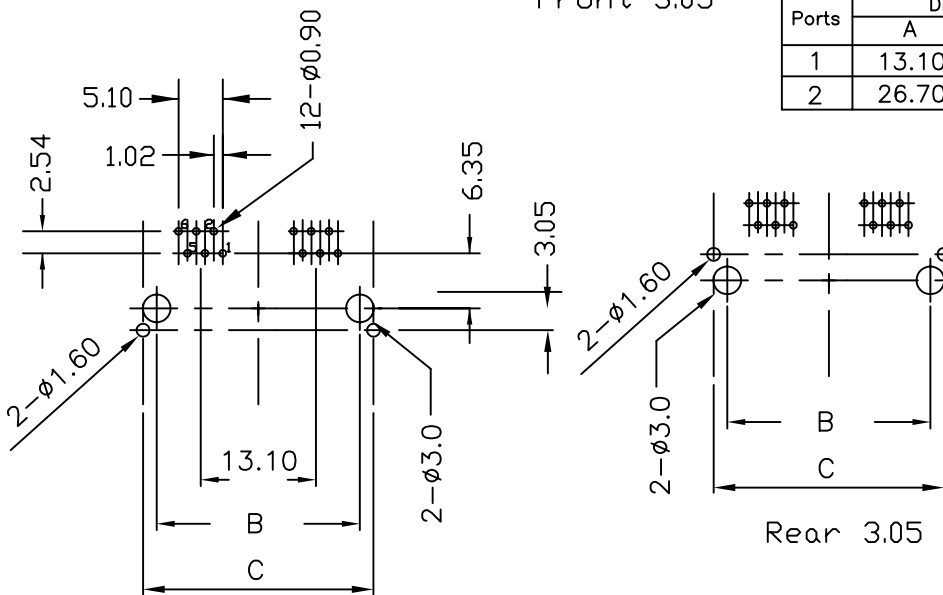
Gold Plating

- 1 - 3u"
- 2 - 6u"
- 3 - 15u"
- 4 - 30u"
- 5 - 50u"

Grounding Pegs  
3 - Rear 3.05  
4 - Front 3.05

No. of Ports  
1 - 1 Port  
2 - 2 Ports

Ports	Dimensions m/m		
	A	B	C
1	13.10	9.70	12.90
2	26.70	23.10	26.50



PCB LAYOUT/TOP VIEW

.X ±0.3	UNITS	DWG NO.:	TITLE:
	mm	APPD: C. T. Tsai	
.XX ±0.20	SCALE	CHKD:	PART NO.:
	Free	DR: S. K. Liu	
TOLERANCE		SHEET: 1/1	皇杰興業有限公司 FINE JACK INDUSTRIAL CO., LTD
		REV: A	
		DATE: 06/24/03	