

1 2 3 4 5 6 7

A

B

C

D

E

A

B

C

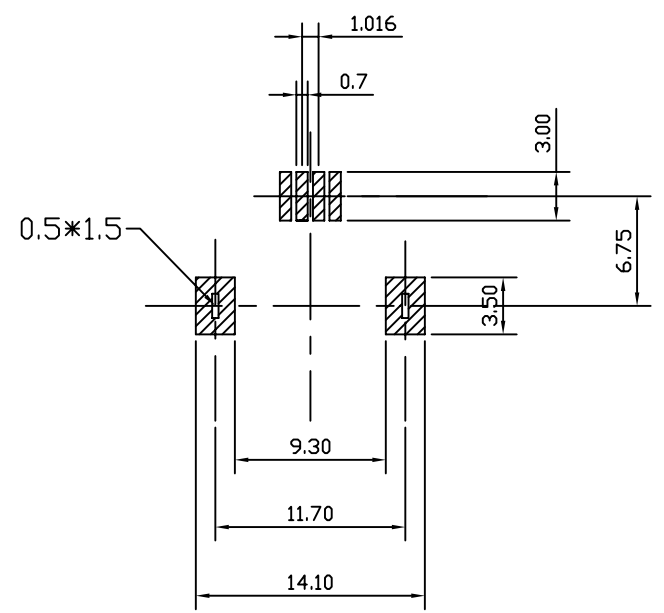
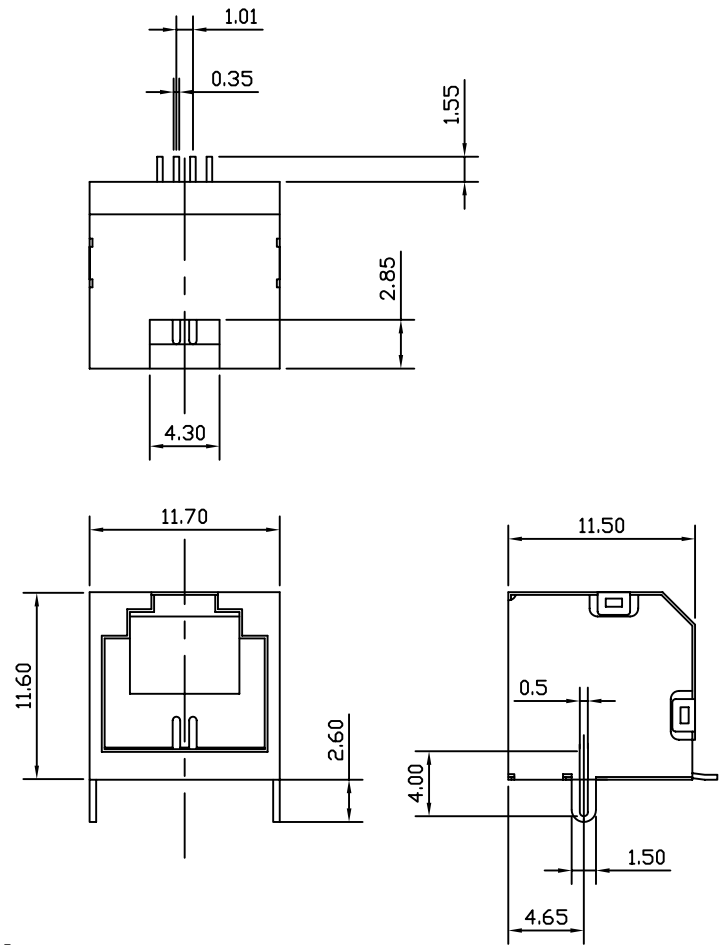
D

E

Ordering Information

623NBS-6XX2-111S1

No. of Contacts — Gold Plating
 2,4 — 2 - 6u"
 — 3 - 15u"
 — 4 - 30u"
 — 5 - 50u"



PCB LAYOUT

NOTES:
 1. ELECTRICAL CHARACTERISTICS:
 1-1 CURRENT RATING: 1.5AMPERES MAXIMUM.
 1-2 VOLTAGE RATING: 150 VAC MAXIMUM.
 1-3 INSULATION RESISTANCE: 500 MEGOHMS MINIMUM.
 1-4 DIELECTRIC WITHSTANDING VOLTAGE: 1000 VOLTS CONTACT TO CONTACT.
 2. MECHANICAL CHARACTERISTICS:
 2-1 MATING FORCE: 5POUNDS MAX. WITH LATCH DEPRESSED.
 2-2 DURABILITY (MATING/UNMATING CYCLES): 5000 CYCLES.
 2-3 OPERATING TEMPERATURE: -30°C TO +70°C
 2-4 LOW LEVEL CONTACT RESISTANCE:
 BEFORE DURABILITY TEST : 50m Ohm MAX.
 AFTER DURABILITY TEST: 70m Ohm MAX.
 3. DIMENSION AND CHARACTERISTIC ARE BASED UPON FCC 68.5 SUBPART F.
 UL. CUL NO.: E166003

.X ±0.3	UNITS	DWG NO.:	TITLE:
	mm		
.XX ±0.20	SCALE	CHKD:	PART NO.:
	Free		
TOLERANCE		SHEET: 1/1	皇杰興業有限公司 FINE JACK INDUSTRIAL CO., LTD
		REV: A	
		DATE: 07/28/03	

1 2 3 4 5 6 7