

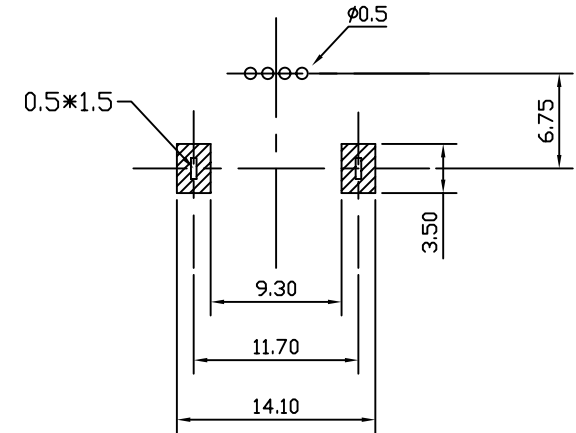
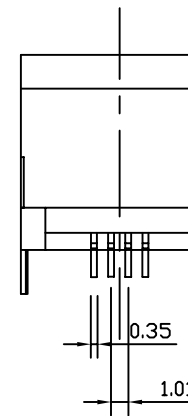
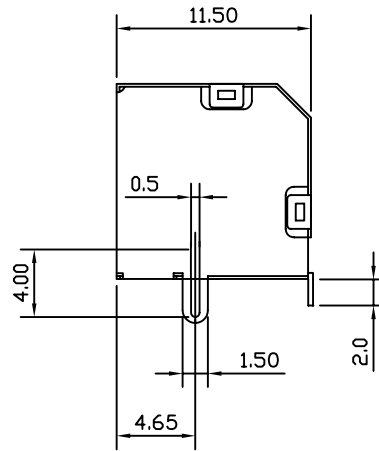
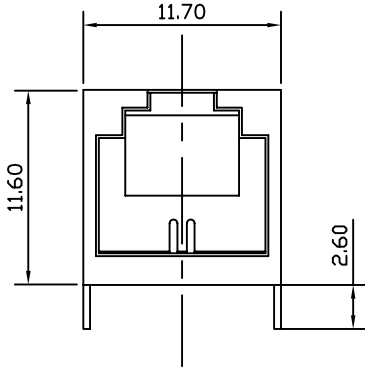
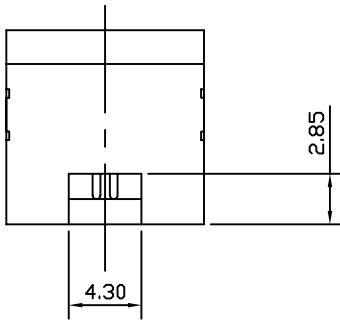
Ordering Information

623NBS-6XX2-11XD1

No. of Contacts  
2,4

Gold Plating  
2 - 6u"  
3 - 15u"  
4 - 30u"  
5 - 50u"

Grounding Pegs  
0 - W/O Grounding Pegs  
1 - W/Grounding Pegs



Grounding Peg

PCB LAYOUT

NOTES:

1. ELECTRICAL CHARACTERISTICS:
  - 1-1 CURRENT RATING: 1.5 AMPERES MAXIMUM.
  - 1-2 VOLTAGE RATING: 150 VAC MAXIMUM.
  - 1-3 INSULATION RESISTANCE: 500 MEGOHMS MINIMUM.
  - 1-4 DIELECTRIC WITHSTANDING VOLTAGE: 1000 VOLTS CONTACT TO CONTACT.
2. MECHANICAL CHARACTERISTICS:
  - 2-1 MATING FORCE: 5 POUNDS MAX. WITH LATCH DEPRESSED.
  - 2-2 DURABILITY (MATING/UNMATING CYCLES): 5000 CYCLES.
  - 2-3 OPERATING TEMPERATURE: -30°C TO +70°C
  - 2-4 LOW LEVEL CONTACT RESISTANCE:
    - BEFORE DURABILITY TEST: 50m Ohm MAX.
    - AFTER DURABILITY TEST: 70m Ohm MAX.
3. DIMENSION AND CHARACTERISTIC ARE BASED UPON FCC 68.5 SUBPART F.

UL. CUL NO.: E166003

.X ±0.3	UNITS	DWG NO.:	TITLE:
	mm		
.XX ±0.20	SCALE	APPD: C. T. Tsai	RJ11 6P Shielded Modular Jack(DIP)
	Free	CHKD:	PART NO.:
TOLERANCE		DR: S. K. Liu	623NBS-6XX2-11XD1
	SHEET: 1/1	皇杰興業有限公司 FINE JACK INDUSTRIAL CO., LTD	
	REV: A		
	DATE: 07/28/03		