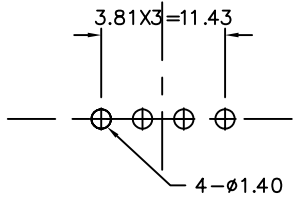
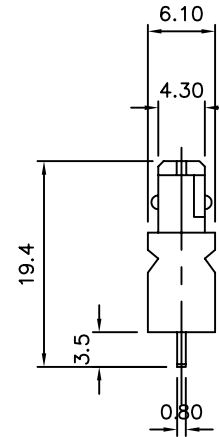
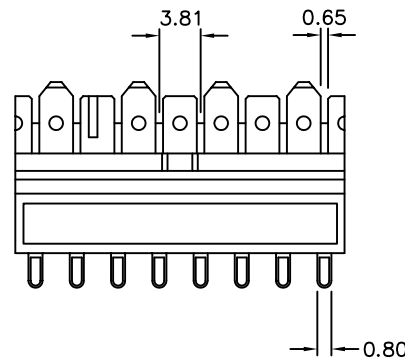
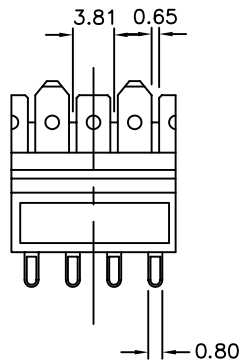


SPECIFICATIONS

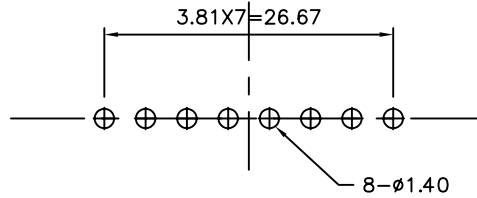
MATERIAL:

- 1. Housing : PC UL94V0
- 2. Color : White
- 3. Contacts : 0.80mm Thickness C5191, Tin Plating Over Nickel



PCB LAYOUT

4E-110 IDC-2



PCB LAYOUT

8E-110 IDC-4

.X ±0.30	UNITS	DWG NO.:	TITLE:
	mm		
.XX ±0.20	SCALE	APPD: c. T. Tsai	PART NO.:
	Free	CHKD:	
TOLERANCE		DR: S. K. Liu	XE-110 IDC-X
	SHEET: 1/1		
	REV: A		
	DATE: 01/03/06		
			皇杰興業有限公司 FINE JACK INDUSTRIAL CO., LTD